

The impact wrench trolley is an ergonomic tool to make the use of HGV impact wrenches easier. It allows an operator to support the mass, torque and some of the vibration of the impact wrench when used on a HGV.

Designed to improve the professionals' daily life, it minimizes the efforts when using HGV impact wrenches.

Its advanced design makes it easy to move around the working areas, to adapt to a wide range of impact wrenches and to ensure a stable working position.

INNOVATION UNIQUE IN THE WORLD



PRACTICAL



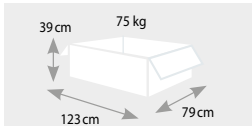
ERGONOMIC



PRODUCTIVE AND EFFICIENT

max 6.5 bar

6.5 bar

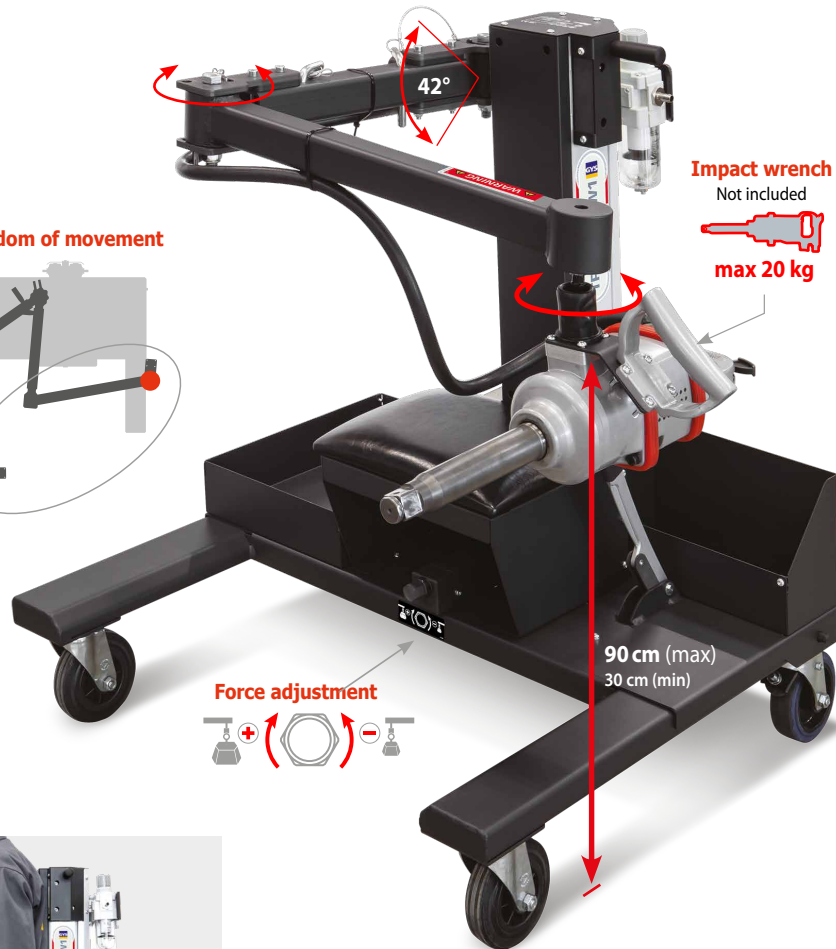
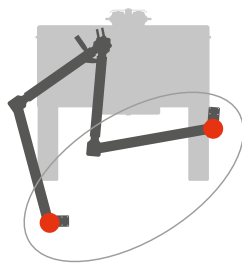


OPTION



Hydraulic oil
1 l
053397

Freedom of movement



Impact wrench
Not included

max 20 kg

Fixing



Design

Force adjustment



90 cm (max)
30 cm (min)

Weight, Vibration and Torque Suppression



Great handling and stability

